

# The Forum

September 2017



Vol. 19, No. 9

## 40th annual TGoM Fall Conference is September 15, 16, and 17!

It's almost 'MADNESS' time! The Guild of Metalsmiths is proud to present our 40th annual Fall Conference on Friday, Saturday, and Sunday, September 15, 16, and 17 at Little Log House Pioneer Village just south of Hastings. Address is 21889 Michael Avenue, Hastings, Minnesota 55033. Below is a summary of the highlights of this event. We hope to see you there!

- **“Pre-Pre-Conference Class”** with Nathan Robertson: Registration for this class is full. Nathan will teach use of a power hammer.
- **Pre-Conference Class and Demonstrators:** see page 2 to sign up for the Pre-Conference 1-Day Workshop with Steve Mankowski & Shelton Browder. These two celebrated smiths have been closely aligned with Colonial Williamsburg's blacksmith shop for many years. They're also our featured demonstrators, so watch them on Saturday and Sunday as they demonstrate their talents with metal.
- **Registration:** Send in your registration soon as you know you'll be coming. Save the volunteers at the registration desk some time and extra work! Use your registration form in your copy of the brochure that arrived in your mail a couple weeks ago. Registration opens Saturday at 7:30 am. That's when your nametags will be ready if you have pre-registered.
- **Set-Up and Tear Down:** A lot of effort goes into setting everything up each year for this event. Able hands are always appreciated. Please consider coming early Friday to help out. If you can't come then, consider staying Sunday afternoon to help tear down and clean up.
- **The Gallery:** This is a chance to show off what you've been working on. It's always one of the highlights of the conference. Objects are checked in and checked out. Be there Friday for the potluck starting at 5 pm, and later for the Gala Gallery Opening.
- **Live and silent auctions:** Please consider making something to show and donate to the 6:30 pm Saturday live auction. Bring any spare materials, tools, etc. you have lying around to donate to the Saturday silent auction opening at 9 am and ending at 4 pm.
- **Candle Holder Contest:** Design & create a unique **Candle Holder**. Contest open to all Guild members. Must be made of metal. All entries must be donated to the Saturday auction. Auction sale price will determine winners. Cash prizes will be awarded.

First Place: \$100  
Second Place: \$60  
Third Place: \$40

Details on all these topics can be found in your brochure and/or on our webpage at <http://www.metalsmith.org/event/fall-conference-2017/>

## Fall Conference Family Activities

Contact is: Sheri Stanaitis  
home (715) 698-2895  
cell (715) 307-3544  
[spaco@baldwin-telecom.net](mailto:spaco@baldwin-telecom.net)

### Build and Bake in a Portable Brick Oven-\$40 per person

9:00 am – 5:00 pm Saturday, September 16th

Join David S. Cargo to learn how to build a portable stacked-brick oven. After the oven is built, it will be fired up while students learn how to make dough for flatbreads, pizza, and bread. Bake all these in the brick oven and then eat them.

You will leave with knowledge of building stacked brick ovens, plans for three different sizes of ovens, and practice in baking in these ovens.

Class cost is \$40.00

Class size: maximum of 15 students/minimum 5

#### Must be registered by Sept. 9th

Students should bring hat, gloves, note-taking materials and sturdy shoes (in case of falling bricks).

#### Make Checks payable to: David S. Cargo.

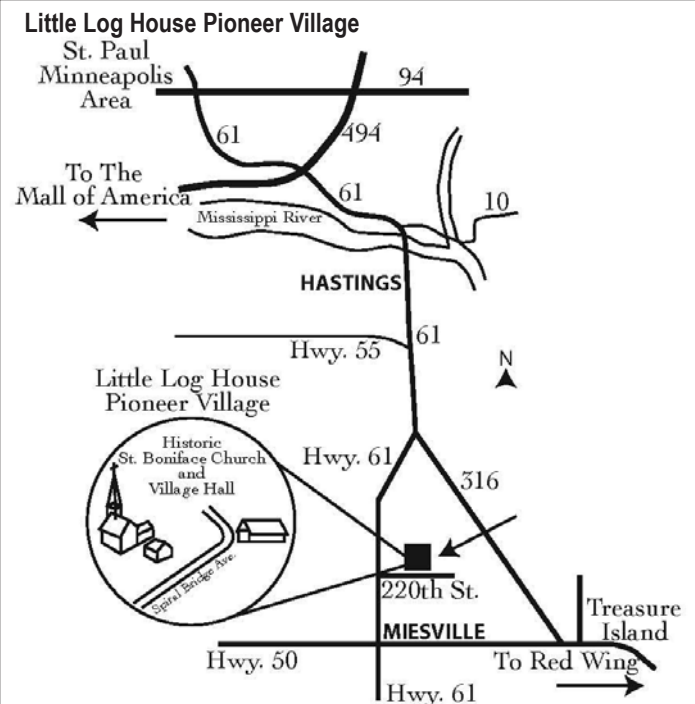
Mail Checks to: Sheri Stanaitis, 2476 10<sup>th</sup> Ave., Baldwin, WI 54002. Call Sheri at: (715) 698 - 2895

#### Magnetic Art - Free all weekend!

Design and build magnetic/ferrous creations. Located in the registration building.

#### Found Art - FREE Saturday, Sept. 16, 9 am to 4 pm.

Donations of your discarded metal pieces are used in this activity. Herb Fick, Dan Pate, Joseph Anton (returning outside expert), and Jim Brzynski signed up to help with the assembly of your art. It would be nice to get one or two more people involved. Even nicer if they offer to supply their own equipment. Found Art closes at 4:00 pm Saturday!



Six miles south of Hastings on Highway 61. Turn East on 220th street. One mile to Little Log House Antique Power Show grounds. Look for the anvil sign!!!

# 2017 Pre-Conference 1-Day Workshop with Steve Mankowski & Shelton Browder

Date and time: Friday, Sept. 15, 2017 9:00-5:00

Instructors: Stephen Mankowski & Shelton Browder

Fee for Class: \$135.

Class size: Maximum students: 16 Minimum students: 10

Location: Little Log House Pioneer Village, Hastings, MN (see map on page 1)

Tools and Equipment or other items participants are to bring to the class. forge, anvil, basic tools - specific tools for the project will be listed in an acceptance letter

Special Instructions: stock & coal will be provided

Class Description: Steve Mankowski and Shelton Browder have shared blacksmith experience at historic Colonial Williamsburg in Virginia, demonstrating traditional methods to make tools and household items of the period. At this year's one-day pre-conference workshop, students will have the opportunity to make a small hand axe (including making the drift for the eye), a chisel and/or a gouge.



Students will need to bring their own forge, anvil, safety gear and tools (a few specific to these projects will be listed in the acceptance letter). Stock and coal will be provided. Students should have experience working with tool steel and forge-welding. Set up indoors, in the main demonstration building. The workshop will run from 9:00 to 5:00, with a lunch break (students, bring a lunch).



Plan to stay for the evening gala, which includes the gallery opening and a video presentation of "Ore to Axe," documenting the process of extracting iron from earth using the bloomery method of smelting, converting iron into steel and then forging an axe. Steve and Shelton will be on hand to share their experience and answer questions.

To register, send a check for \$135 made out to "The Guild of Metalsmiths" and mail it, along with your contact information, to:

Christina Dodge  
4430 Lyndale Avenue N  
Minneapolis, MN 55412

Priority will be given to Guild members, acceptance based on the postmark date, and will be acknowledged with an email or letter.

General questions should be directed to:

Larry Wasmund  
(507) 469-0205  
[poundedtreasures@gmail.com](mailto:poundedtreasures@gmail.com)

## Mandatory Instructor Workshop

- Saturday September 23, 2017 at the Wasmund shop in Cleveland, MN
- Watch for other dates available

The Education Committee would like to invite you to discuss the new curriculum we have set with a Beginners 2 day, a beginner's Intermediate 1 Day and the beginner's projects 1 day class.

The Guild's classes use bits and pieces of lessons 1-25 of *Controlled Hand Forging Curriculum* for the last 4 years and feel it was the correct change.

Lessons can be viewed at:

<http://www.abana.org/resources/education/chf.shtml>

We will gather around 8:00 for a cup of coffee and a donut and at 8:30 sharp begin the introduction of the Curriculum.

We feel it must be mandatory for all instructors (new and experienced) to attend this informative session, whether teaching the beginners class or any other class in the guild setting.

Taking ideas from student evaluation sheets, it has been determined by the Education Committee that we all need to retrain.

There will be some initial training for instructors to get all of us back on track, including:

- ✓ How to do a demonstration of a written lesson.
- ✓ Teaching to the lesson without wandering.
- ✓ The demonstrator / coach method of instruction.
- ✓ The proper time to interject alternate methods.
- ✓ Ideas on how to motivate a student.
- ✓ The right time to have fun.

All attendees will receive a token of certification as a guild Instructor. Please RSVP to [poundedtreasure@gmail.com](mailto:poundedtreasure@gmail.com)

## Next Guild membership meeting set for October 11 at 'Make for All'

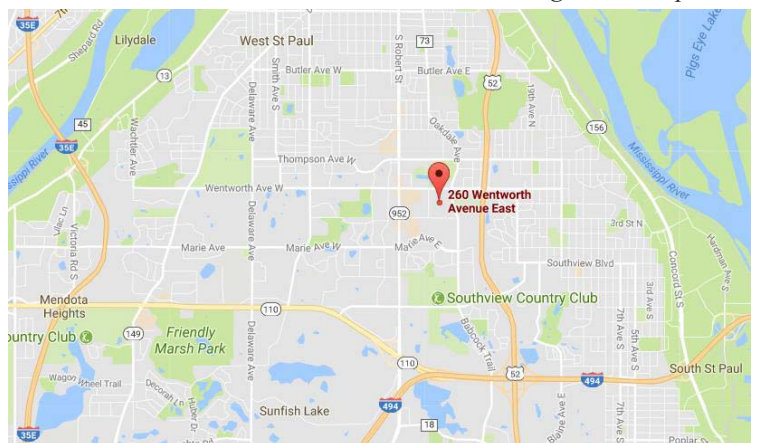
The October 11 membership meeting will be held at 'Make for All', a maker space that John Holmgren is putting together. Potluck starts at 6:30 pm, with business meeting and show 'n tell following.

The address is 260 Wentworth Ave E St Paul, MN 55118. I believe you can only access the location from the West because of road construction. Not sure if that will be resolved before the meeting or not. Jim Ricci is the champion, but if you have any questions, please contact me, Mark Lockwood at 763-639-9646. We will have more information on this meeting in the next Forum

The following is from John's website. Our Purpose: "Make for All" provides open access to workspaces, tools, machines, training and professional services. We are a hands-on education center for young and old alike, providing maker experiences and helping people along a path of discovery that is essential to career readiness and growth. We believe that everyone deserves the opportunity to explore their interests, collaborate on ideas, learn, make, and build for themselves.

"Make for All" website is here: <http://www.makeforall.com>

—Mark Lockwood, Program Chairperson





# Our neighborhood of smiths

## The Guild of Metalsmiths (TGoM)

All membership meetings are the second Wednesday of February, April, June, August, and October, except December. For these meetings a potluck meal begins at 6:30 pm and the business meeting begins at 7, with a demonstration or activity starting around 8 (times approximate). To check your membership expiration date, see the mailing label on your latest copy of "Metalsmith."

President: Martin Pansch      Vice-President: Rick Wessling  
[blacksmithingyeti@gmail.com](mailto:blacksmithingyeti@gmail.com)      [rgwessling@gmail.com](mailto:rgwessling@gmail.com)  
612-599-4762      612-875-4420  
Our website is: <http://www.metalsmith.org>

## Badger Blacksmiths meetings

Our contact information is as follows:

President: Don Hogenson      Newsletter editor: John Grump  
715-265-4701      715-835-0894  
[johngrump@att.net](mailto:johngrump@att.net)

## Lake Superior Metalsmiths

Lake Superior Metalsmiths (LSM) meet the fourth Saturday of the month. Potluck at noon with meeting to follow.

### Contacts are:

Charley Brown, President, [CharleyRB@charter.net](mailto:CharleyRB@charter.net), 218-428-7906  
Dave Hanson, VP, [duluthblacksmith@yahoo.com](mailto:duluthblacksmith@yahoo.com), 218-391-4466

## Northern Minnesota Metalsmiths

The NMM meets the first Monday of the month at Lake Itasca Region Pioneer Farmers (LIRPF) show grounds, 1/4 mile east of the north entrance to Itasca State Park.

Contact Keith Johnson for monthly specifics at [keith@greatriverforge.com](mailto:keith@greatriverforge.com). The NMM's website is [www.nmmetalsmiths.org](http://www.nmmetalsmiths.org)

## Central Minnesota Blacksmiths (CMB)

Meet on the first Monday of each month. Potluck followed by demo. Locations are different every month so please call or write for info

President: Ken Zitur      Brian Johnson  
320-746-8161      16777 Co Rd 75 NW  
[mail@kensiron.com](mailto:mail@kensiron.com)      Clearwater MN 55367  
320-558-6898

## Chicago Avenue Fire Arts Center (CAFAC)

Quarterly blacksmithing classes, exhibits, and open house events  
[www.cafac.org](http://www.cafac.org) email: [info@cafac.org](mailto:info@cafac.org)

## Tunnel Mill Crafts

Blacksmith shop, traditional iron work, classes  
4505 Highway 63 North, Rochester, MN 55906  
507 289-4189 or 507 289-5246

John & Carol Adams [jc-adams@msn.com](mailto:jc-adams@msn.com),  
<http://www.tunnelmillcrafts.com/>

# New TGoM Members September 2017

Nigel Christen, St Joseph, MN  
Stephan Florman, Andover, MN  
Jake Ferguson, Prior Lake, MN  
John , Hammond, WI  
Mike Kelz, Hastings, MN  
Jacquelin Kosch, Big Lake, MN  
Jesse Millard, Edina, MN  
David Scadlock, Bloomington, MN  
Jonathan Henckel, Rochester, MN  
Thomas Anderson, Isanti, MN

## Below are some of the highlights of the August TGoM 'Corn Feed/Pig Roast' if you missed attending!

Special thanks to Randy Purchase for snapping these photos!



First time ever for a meeting held at Dan Pate's that we had rain.



Preparatory work: moving some of Dan's vintage car projects to make space.



Dick Carlson stands back to enjoy the evening after peeling and cooking mounds of sweet corn for us.



Our host, Dan Pate, did a demo for the group.



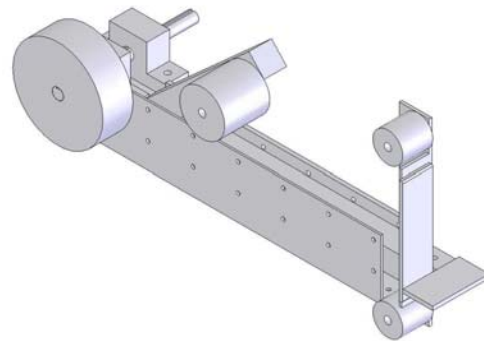
Jim Moenck demonstrated heat treating a new knife under the rain shelter.



Roger Degner, Myron Hanson, and Tom Steinke check out an object in Dan's shop.

## Belt Grinder Class -

The 72 inch belt grinder class is moving along. We plan on having multiple classes late fall and into winter depending on the number of students. at the Jackson Street Roundhouse. This design does not include a motor or pulleys. Cost is \$325 or you can buy just the 4 wheels for \$175. Payment must be made by the end of the fall conference September 17 so we can order supplies.



Send checks made out to Gordon Barr:

Gordon Barr  
11021 27<sup>th</sup> Ave  
Burnsville, MN 55337  
[agbarr@aol.com](mailto:agbarr@aol.com)

## NEW: Beginners Blacksmith Classes 2017/ 2018

### Registration is now open for the two day Level 1 Beginners Blacksmithing classes

In an effort to give more new blacksmiths an opportunity to learn how to forge steel, the Beginning Blacksmith class format has been modified and split into three separate classes. Students will need to sign up for each level separately. It is recommended that first time students begin with level 1, then level 2, then project classes before taking more advanced classes offered by the Guild (hammer making, tongs, struck tools, etc.). This path provides a common background skill set and terminology to improve the effectiveness of advanced classes. Students with prior experience can judge their proficiency and take the appropriate classes.

**Beginner Level 1** (offered Sept/Oct/Nov) is a 2 day class covering the basics of: Safety, Tools, Fire Control, Forging Dynamics, Tapers (ribbon, fishtail, point), Twisting, Riveting, Shouldering, Upset, Cutting, Splitting, Punching

**Beginner Level 2** (offered Dec/Jan/Feb) is a 1 day class covering Heat Treat, Scrolling, Bending, Forge weld. Registration will be open December 1.

**Beginner Projects** (offered Jan/Feb) is a 1 day class featuring a project such as Forge Tools (rake, poker, shovel, watering can), Hooks, Bottle Opener, Wall Sconce, Tongs. Registration will be open December 1.

**Cost:** (covers everything you need: the facility, coal and metal)

Level 1 (2 day) \$120 for members, \$130 non members

Level 2 (1 day) \$60 members, \$65 non member

Beginner project (1 day) ) \$60 members, \$65 non member

The optional printed out workbook/study guide is \$15 (available free on line)

Minors (under 18) can share a forge with a guardian for an additional \$10 /day

#### Location:

The classes are held at the Minnesota School of Horseshoeing, 6250 Riverdale Dr NW, just off Hwy 10 in Anoka near the Anoka Vocational College and in Cleveland, MN near Mankato.

#### Why take the beginners basic classes:

The beginners basic classes are designed to give everyone the same understanding of the basics, techniques and terminology. The basic classes or proficiency is required before taking any of the many other classes the Guild offers. This enables those classes to concentrate on advanced techniques without having to spend time on basic concepts.

#### What you need to bring:

Eye, ear and skin protection. This includes safety glasses, ear muff or plugs and suitable clothing which includes hard shoes, cotton or leather. Synthetic and polyester clothing will burn and melt. There will be sparks and brushes against hot metal.

#### Tools:

Tools are provided but if you have a favorite hammer, punches, chisels and tools, bring them along. A small 1 to 2 pound ball peen hammer would work. We have various hammers for you to try and get a feel for what is comfortable.

#### Typical day:

Classes start at 9 but people usually show up much earlier to get the coffee brewing, have a donut, swap stories or show off recent projects. Feel free to bring projects you are working on to show. We break for lunch. You can either bring a brown bag or go out to a local fast food restaurant.

#### To sign up for the two day Level 1 Beginners classes:

Send a check made out to The Guild of Metalsmiths to:

Gordon Barr  
11021 27<sup>th</sup> Ave  
Burnsville, MN 55337  
[agbarr@aol.com](mailto:agbarr@aol.com)  
(\$120 for members, \$130 non members)

#### Level 1 beginner class (2 days) – chose one two day class

Sept 30 & Oct 7 (Anoka)

Oct 14 & Oct 21 (Anoka)

Oct 28 & Nov 4 (Anoka)

Nov 11 & Nov 12 (Anoka)

Nov 11 & Nov 18 (Cleveland)

Dec 9 & Dec 16 (Cleveland)



## 2017 TGoM 'Rest of Summer' Demo Calendar

The chart below shows September demonstration opportunities for Guild members. Contact people and information are listed, as well as locations and dates of events. If you are looking at this chart online, the email links should work if you click on them. If you have difficulty reading this chart, the events are also available on our website in the "Meetings/Events Calendar" pages here: <http://metalsmith.org/events/> These demos are good opportunities for our smiths who need some experience, who want to put their skills to work, and who are willing to share their knowledge with the public. It's a good application of our educational mission.

1-3 SEP 2017	Rice County Steam and Gas Engine Show	Dundus, MN	Myron Hanson	None	651-454-3984	Bring your hand tools and a project.
8-9 SEP 2017	Lamberton Hot Iron Days	Lamberton, MN	Bob Brown	<a href="mailto:Bbrown474@msn.com">Bbrown474@msn.com</a>	651-457-0086	Blacksmithing demo help welcome all Saturday Friday: mould making Noon-7pm. Iron pour at 10PM Saturday: mould making 8am-11am. Iron pour at 4pm.
9-10 Sep 2017	Laura Ingalls Wilder Days	Pepin, WI	Tom Latane	<a href="mailto:tlatane@centurytel.net">tlatane@centurytel.net</a>	715-442-2419	Enough blacksmith demonstrators currently. Other period craft demonstrations welcome. Call/email Tom for details.
Wednesdays, Saturdays, Sundays	Jackson Street Roundhouse	St. Paul, MN	Gordon Barr	<a href="mailto:agbarr@aol.com">agbarr@aol.com</a>	952-894-4821	Two forges and anvils available for use by Guild members on personal projects. Occasional visitors to demonstrate to.
Most weekends Memorial Day through Labor Day.	The Landing	Shakopee, MN	None - Contact site manager Rich Williams	<a href="mailto:Rwilliams@threeriversparkdistrict.org">Rwilliams@threeriversparkdistrict.org</a>	763-694-7784	Costume needed (overalls and white button up shirt okay).

## Jackson Street Roundhouse Ongoing Demo Ops

- June, July, August - Wednesday, Friday, Saturday 9-4
- September- Wednesday and Saturday 9 - 4

You can enter through the back gate. We now have a second forge set up outside. People that would like to work in the blacksmith shop these days are welcome to drop by. Any questions, call Gordon Barr 612-242-5827

*Note: The information below is provided as a service for TGoM members. Members may submit items for sale and upcoming events that are considered relevant to our group, and they will be published as space permits. The Guild of Metalsmiths is not responsible for these items or events.*

### The Chicago Avenue Fire Arts Center presents... **HOTHOUSE RODEO**

A Fire Arts Extravaganza featuring workshops, demonstrations, an art market, entertainment, food & refreshments!

**September 22, 23 & 24**

**Friday:** Forging animal heads with Jim Ricci

- Making cuttlebone molds for pewter casting
- Making scratch molds for bronze casting with the CAFAC foundry team
- Art market

**Saturday:** Forging bottle openers with Brad Buxton  
Casting pewter cuttlebone molds with Jess Bergman Tank  
Art market

**Saturday night:** Open (Hot) House with CAFAC instructor demos, bronze pour and fire performers

**Sunday:** Neon with Jon Ault

More details and workshop registration at [www.cafac.org/events](http://www.cafac.org/events)  
Chicago Avenue Fire Arts Center, 3749 Chicago Ave, Minneapolis

## Tunnel Mill Crafts

*We are located in southern Minnesota. Tunnel Mill was an old water powered mill. Built in 1869. Retired in the late 1920's.  
Located on Bear Creek north of Spring Valley, MN.  
Wooded 50 acres with a stream that runs through it. Now, it's a place for crafts people and friends to congregate, relax and learn some of our forgotten crafts.*

### 2017 Fall Gathering Oct. 6, 7, 8

Visit our website for full details on this year's get-together: Included iron bloom, gallery, quilt display in the barn, ongoing slide show and information on iron ore mining in the Spring Valley area; potluck on Friday, wine & cheese on Saturday, Registration form and all details located on our website here:

<http://www.tunnelmillcrafts.com/Calendar/Calendar.htm>

Contact us for more information...[jc-adams@msn.com](mailto:jc-adams@msn.com) or 507-289-4189. Hosted by John & Carol Adams.



## Oxy/Acetylene Welding 2-day class

Saturday & Sunday, October 14 & 15, 9:00 to 4:30 each day

Location: Myron Hanson's East Eagan Blacksmith Shop,  
4015 Dodd Road, East Eagan, MN

Instructors: Myron Hanson, "Bill the Welder" Krawczeski,  
Dick Carlson, and Bob Brown

Cost: \$100 guild member, \$120 nonmember

Maximum students: 10

New to gas welding? Just want to brush up your basic skills? Myron, Bill, and Dick have taught this class for several years, focusing on safety and hands-on learning. Students will be working at individual stations on a shared workbench, with equipment and stock provided. If time permits, bonus demonstrations by Bill and Myron will show advanced techniques and uses of the oxyacetylene torch.

**Bring:** all supplies and equipment supplied, but students may bring their own torch if they'd like.

**Safety gear for sparks and melted/hot metal:** common safety garb (leather footwear and cotton, leather, or wool clothing-no cuffs or frayed edges) plus eye protection with a #5 lens: goggles or glasses will work but a face shield with the #5 lens is highly recommended. If you wear corrective lenses, bring those, too. Cloth cap is optional, gloves are recommended.

**Lunch:** bring your own lunch each day

**To register,** send a check written to "The Guild of Metalsmiths" and mail, along with your contact information, to:

Christina Dodge  
17645 Baugh St NW  
Ramsey, MN 55303

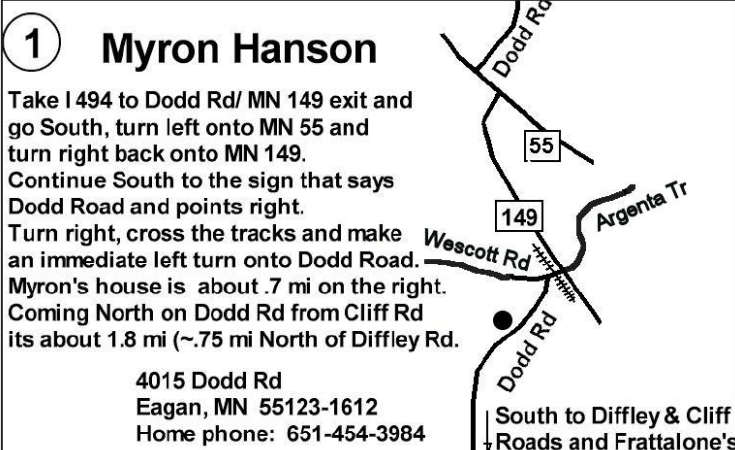
**Questions?** Call (612) 741-9292 or email [christina.guildmbr@gmail.com](mailto:christina.guildmbr@gmail.com)

**Acceptance priority for this class is determined by postmark. Each person will be notified individually.**

**1 Myron Hanson**

Take I 494 to Dodd Rd/ MN 149 exit and go South, turn left onto MN 55 and turn right back onto MN 149. Continue South to the sign that says Dodd Road and points right. Turn right, cross the tracks and make an immediate left turn onto Dodd Road. Myron's house is about .7 mi on the right. Coming North on Dodd Rd from Cliff Rd its about 1.8 mi (~.75 mi North of Diffley Rd.

4015 Dodd Rd  
Eagan, MN 55123-1612  
Home phone: 651-454-3984



South to Diffley & Cliff Roads and Frattalone's

## Forge Welding 2-Day Class

Saturday & Sunday, November 18 & 19, 9 am to 5 pm each day

Location: Minnesota School of Horseshoeing (map page 8 )

Instructor: Dave Mariette

Cost: \$160

Maximum students: 8, Minimum: 5

Forge welding. So, you've seen it done. It looked so easy. Why doesn't it work for me, you ask?

David will seek to dispel the mythical mysticism that seems to surround this technique, and give you the tools you need to begin forge welding. Like many things there is no magic bullet. It is a compilation of doing everything right, not just one thing.

Starting from the ground up learning to manage heat, you'll start with some basic welding, and as you gain some experience moving in to a few more advanced welding configurations. Some solid basic forging experience would be beneficial.

**Safety Equipment** – The usual. Eye and ear protection. No flammable clothing. Leather work boots. Since we are forge welding and there will be more sparks than usual, students should dress with that in mind. Bring an apron if you have one.

**Tools and Equipment:** As part of the cost of the class, students will be provided with their own wire brush and a 1 LB can of EZ Weld.

**Lunch arrangements:** bring a bag lunch or visit one of the area restaurants.

**To register for this class,** send a check for \$160 made out to "The Guild of Metalsmiths to:

Bryan Carlson  
1814 Pleasant Street  
Lauderdale, MN 55113

Contact Bryan with questions at 651-324-8983.

**Acceptance priority for this class will be determined by postmark.**

'Pre-pre conference class':

## Power Hammer Use 2-Day Class with Nathan Robertson **IS FULL!**

Date and Time: Saturday and Sunday, September 9 & 10, 2017. Start time 9:00am

Location: Pansch Farm, 8750 Yale Ave, Young America MN

# Goings on...a listing of TGoM events at a glance



- All membership meetings are the second Wednesday of February, April, June, August, and October. Date for December will be announced. For these meetings a potluck meal begins at 6:30 pm and the business meeting begins at 7, with a demonstration or activity starting around 8 (times approximate).
- Education Comm. meets first Wednesday of each month. Contact Larry Wasmund, chair: [poundedtreasures@gmail.com](mailto:poundedtreasures@gmail.com)
- Program Comm. meetings are 7 pm the third Thursday of each month. Mark Lockwood is chair: [mark.lockwood@daikinapplied.com](mailto:mark.lockwood@daikinapplied.com)
- All board meetings are the second Wednesday of January, March, May, July, September, and November. Potluck meal begins at 6:30, with meeting starting at 7 pm.

## Events in September 2017

- September 1-3, Rice County Power Show, Dundas, MN-demo op
- September 8-9, Lamberton Hot Iron Days, demo op
- September 9-10, Power Hammer Use Pre-Pre-Conference Class-**FULL**
- September 9-10, Laura Ingalls Wilder Days, Pepin WI
- September 15, Pre-Conference Class, Little Log House
- September 15, 16, and 17, TGoM 40th Annual Fall Conference, Little Log House
- Sept 23, Instructor workshop, Larry Wasmund's shop, Cleveland
- Sept 30, Beginners Level 1A-1 of 2, MN School of Horseshoeing

## Events in October 2017

- October 7, Beginners Level 1A-2 of 2, MN School of Horseshoeing
- October 11, TGoM membership meeting, no details yet.
- October 14, Beginners Level 1B-1 of 2, MN School of Horseshoeing
- October 14-15, Oxy-Actl welding class, Myron Hanson's shop, Eagan
- October 21, Beginners Level 1B-2 of 2, MN School of Horseshoeing
- October 28, Beginners Level 1C-1 of 2, MN School of Horseshoeing

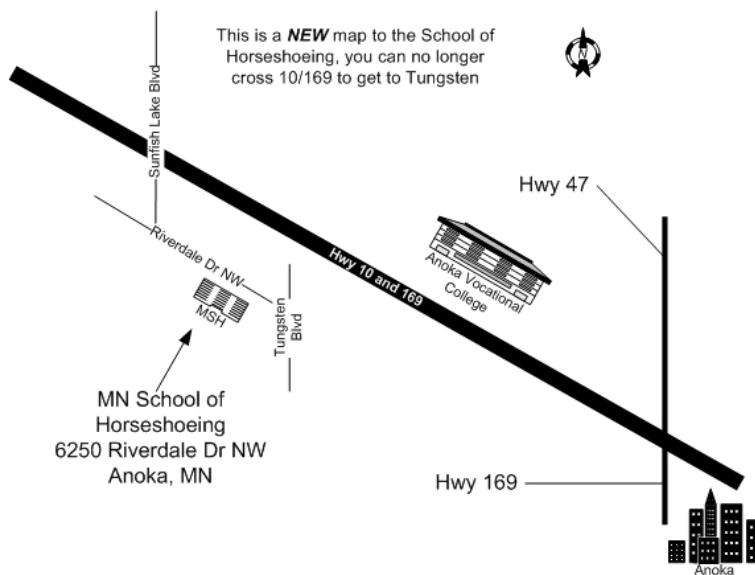
## Events in November 2017

- November 4, Beginners Level 1C-2 of 2, MN School of Horseshoeing
- November 11, Beginners Level 1D-1 of 2, MN School of Horseshoeing
- November 11, Beginners Level 1E-1 of 2, Cleveland MN
- November 12, Beginners Level 1D-2 of 2, MN School of Horseshoeing
- November 18, Beginners Level 1E-2 of 2, Cleveland MN
- November 18-19, Forge Welding class, MN School of Horseshoeing

## Events in December 2017

- Dec. 3, Guild Christmas party, CSPS Hall, St. Paul

## Map to MN School of Horseshoeing



## Join The Guild of Metalsmiths

Send \$30 dues to the address below. Please circle if you want to be listed in our membership directory and/or check items you don't want listed.

The Guild of Metalsmiths  
PO Box 11423  
St. Paul MN 55111

**List Me**  
in the directory  
but don't list  
address - phones: home - work - fax - cell - email - web page  
(circle items above you DO NOT want published)

**Don't List Me**  
in the Directory

Name: \_\_\_\_\_

Email address: \_\_\_\_\_

Address: \_\_\_\_\_

City, State, Zip Code: \_\_\_\_\_

Primary phone: \_\_\_\_\_ Secondary phone: \_\_\_\_\_

All memberships are family memberships. Persons of all ages, professionals and hobbyists, are invited to join. We do not sell our mailing list.

## ELECTRONIC FORUM

If you have not been receiving an email notification that The Forum is available, please verify that we have your correct email address. Contact Gordon Barr at [agbarr@aol.com](mailto:agbarr@aol.com).



Address Service Requested

**Forum deadline for October 2017:: Monday, Sept. 18, 2017.**

The deadline for content in The Forum is usually the third Monday of the month. Please send items to **Georgia Myers**, editor, by email to: [gldmyers@embarqmail.com](mailto:gldmyers@embarqmail.com)

## The Guild of Metalsmiths on the web

Visit our website at <http://www.metalsmith.org>

Looking for something? Try the search engine. On our home page, at the top of the right sidebar, enter your query and click on "Search."

**September 2017**

---

**Your membership expiration date will show on the address label of your quarterly Metalsmith magazine.**

---

### **TGoM now accepts Paypal and most major credit cards**

The Guild accepts Paypal and most major credit cards, in addition to paper checks, for the payment of annual dues. This should make it more convenient for members to pay dues.

---

The Guild of Metalsmiths, St. Paul, MN, publishes The GoM Forum monthly. It is intended as a tool to further our educational mission, to keep members up to date on current happenings, to publicize projects and workshops, a place for all members to express their opinions, concerns, learn more about each other—in short, to help us run our organization.

---

Information in this publication is provided as a service for our members. Members may submit items for sale and upcoming events that are considered relevant to our group, and they will be published as space permits. The Guild of Metalsmiths is not responsible for these items or events.

---

### **Guild educational grants**

There is grant money available for Guild members to study intermediate and advanced metalworking techniques.

The Guild educational grant program is designed to bring new skills into the metalworking community. Participants are given money to pay for a portion of their expenses and are expected to learn some new or poorly understood skill, and then to share what they have learned with other members and the public through an article in our quarterly magazine, "The Metalsmith." They're also expected to lead a workshop on the topic (or other educational service approved by the board).

Application forms are available from the president or treasurer at a regular meeting, or by sending a self-addressed, stamped envelope to:

The Guild of Metalsmiths  
PO Box 11423  
St. Paul MN 55111